

**Shafts and Gears**

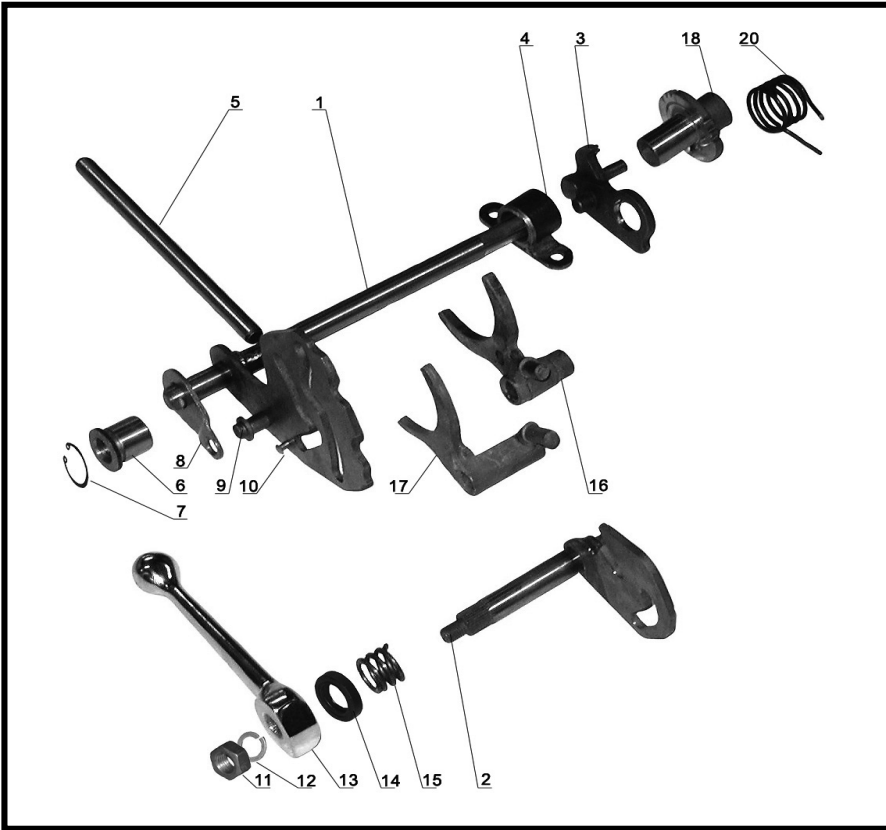
Item	Part #	Description	Notes	Q-ty
1	IMZ-8.108-04022-10	Main shaft assy		1
1	IMZ-8.128-04022	Main shaft assy. - Herzog	Installed from 2007	1
2	IMZ-8.103-04043-01	Bracket with fork assy	Installed w/ Herzog	1
3	IMZ-8.103-04041-10	Kick-starter shaft assy	Installed w/ Herzog	1
4	IMZ-8.103-04047	Kick starter shaft with ratchet		1
5	IMZ-8.103-04236	Main shaft		1
6	IMZ-8.103-04062	Gear - 36 teeth 1st		1
6	IMZ-8.128-04209-10	Gear - 36 teeth 1st; from 2007	Herzog	
7	IMZ-8.103-04221	I and II gear shift sleeve		1
7	IMZ-8.128-04221-10	Sleeve - 1st and 2nd gear shift - From 2007	Herzog	
8	IMZ-8.103-04219	Main shaft sleeve		1
9	62-04211	Main shaft I I gear		1
9	IMZ-8.128-04211-10	Main shaft - 2nd gear 32 teeth	Herzog	

**Shafts and Gears**

<b>Item</b>	<b>Part #</b>	<b>Description</b>	<b>Notes</b>	<b>Q-ty</b>
10	IMZ-8.103-04212	Main shaft I I I gear		1
10	IMZ-8.128-04003-10	Main shaft - 3rd gear, 28 teeth; From 2007	Herzog	1
11	IMZ-8.103-04248	Shaft		1
12	IMZ-8.103-04044-10	Bracket assy		1
13	IMZ-8.103-04053	Reverse gear shift fork		1
14	IMZ-8.103-04061-30	Idler gear assy - Russian		1
14	IMZ-8.128-04061-40	Idler gear assy - Herzog	Installed from 2007	1
15	IMZ-8.101-04224-01	Main shaft washer		2
16	IMZ-8.103-04213	Main shaft IV gear		1
16	IMZ-8.128-04213-10	Main shaft 4th gear, 25 teeth from 2007	Herzog	
17	IMZ-8.103-04219	Main shaft sleeve		1
18	IMZ-8.103-04222	III and IV gear shift sleeve		1
18	IMZ-8.128-04222-10	Sleeve - 3rd and 4th gear shift; From 2007	Herzog	
19	72-04208-01	Clutch shaft sleeve		1
19	128-04208-02	Clutch shaft sleeve	Herzog - From 2007	1
20	72-03207-A	O-Ring		2
21	205	Radial bearing	Russian - May use new bearing below	1
21	SKF 6205 2RSH/c3	Ball Bearing	New Bearing - 2007	1
22	IMZ-8.103-04202	Clutch shaft IV gear		1
22	IMZ-8.128-04202-10	4th gear, primary shaft from 2007	Herzog	
23	IMZ-8.103-04201	Clutch shaft		1
23a	IMZ-8.128-04201-10	Clutch Shaft Assy. - Herzog	Installed from 2007 - Includes 4th Gear and shaft	1
24	12204	Radial bearing		1
25	62-04207-11	Woodruff key		1
26	IMZ-8.103-04414	Kick-starter spring		1
27	IMZ-8.103-04412-10	Kick -starter shaft sleeve		1
28	IMZ-8.103-04253	Reverse gear		1
28	IMZ-8.128-04253-10	Reverse gear from 2007	Herzog	1
29	IMZ-8.128-04042-10	Kick starter gear assy		1
29	IMZ-8.128-04042-20	Kick starter gear assembly from 2007	Herzog	1
30	258941-P	Cotter pin 4x36		1
31	72-04403	Ratchet pin, kick starter	5x19	1
32	62-04402	Ratchet, kick starter		1
33	368206-P	Ratchet spring pin		1
34	62-04404-10	Kick-starter ratchet spring		1
35	IMZ-8.103-04401	Kick-starter shaft		1
36	IMZ-8.1036-04045-10	Kick-starter lever	Specify color or Chrome when ordering	1
37	72-04417	Kick-starter lever wedge		1

**Shafts and Gears**

<b>Item</b>	<b>Part #</b>	<b>Description</b>	<b>Notes</b>	<b>Q-ty</b>
38	72-04232	Speedometer drive bushing		1
38	72-04232-2007	Speedometer drive bushing	Installed from 2007	1
39	72-04245	Speedometer driven gear		1
40	IMZ-8.101-04240-10	Flexible coupling disk		1
41	IMZ-8.103-04315	Pin		1
42	IMZ-8.103-04343	Washer		1
43	IMZ-8.103-04145	Roller shaft		1
44	201418 -P27	Bolt M6x16		1
45	250978-P27C	Crown nut M14x1,5		1
45	E20297	Crown nut M14x1,5	Installed from 2007 - self locking	1
46	252016-P2	Washer 14L		1
47	258041-P2	Cotter pin 3,2x32		1



**Shift Shaft**

Item	Part #	Description	Notes	Q-ty
1	IMZ-8.103-04033-10	Shift quadrant with shaft assy		1
1	8.103-04033-10-2007	Shift quadrant with shaft assy	Installed from 2007	1
2	IMZ-8.103-04028-10	Reverse gear quadrant		1
3	IMZ-8.103-04032	Ratchet crank, Shift mechanism		1
4	IMZ-8.103-04036	Ratchet gear bracket, assy		1
5	IMZ-8.101-04307	Shift forks shaft		1
6	IMZ-8.103-04130	Quadrant shaft sleeve		1
7	367330-P	Ring A 12 GOST 13940-79		1
8	IMZ-8.103-04367	Plate		1
9	IMZ-8.103-04325	Quadrant pin		1
10	368007-II27C	Rivet		1
11	250511-P27C	Nut M8x1		5
12	252155-P2	Washer 8L		3
13	IMZ-8.903-04316	Reverse gear shift lever		1
14	IMZ-8.103-04017	Seal	Russian - May use new seal below	1
14	NAK TC 01822	Seal	New seal from 2007 - Direct replacement	1
15	72-04312-01	Shaft spring, gear shift quadrant		1
16	62-04306	II and IV shift fork		1
17	IMZ-8.103-04304	I and II gear shift fork		1
18	IMZ-8.103-04326	Ratchet wheel		1
20	IMZ-8.103-04329	Spring, gear shift		1