

Figure 2 - Crankcase, Oil Pan

Item	Part #	Description	Notes	Q-ty
1	IMZ-8.108-01008-10	Crankcase assy		1
2	IMZ-8.101-01131	Sump		1
2	IMZ-8.101-01131-01	Deep Sump		1
3	6201162-02	Sump gasket		1
4	6201009-01	Filler plug		1
5	IMZ-8.101-01171	Oil pump drive gear stopper		1
6	IMZ-8.101-01163	Alternator gasket		1
7	IMZ-8.108-01304	Cylinder head fastening stud		4
8	IMZ-8.108-01305	Cylinder head fastening stud		4
9	IMZ-8.101-01134	Drain plug		1
10	6201102	Front stud pipe		1
11	7201105	Sealing ring		2

Figure 2 - Crankcase, Oil Pan

Item	Part #	Description	Notes	Q-ty
12	011407	Sealing ring 14		1
13	IMZ-8.101-01135	Sealing ring		1
14	009507-P27C	Stud M10x1-6gx22		2
15	365631-P27C	Stud M8X1-6gX16		2
16	365663-P27C	Stud M8x35, gearbox mounting		3
17	221608-P27	Screw M6x20-8.8		22
18	221623-P27	Screw M6x70-8.8		2
18	E01539	Hex Head M6x70-8.9	For 2007 Model Year and Beyond	2
19	011412	Special washer 24		1
20	250613-P27C	Nut M10x1		2
21	250511-P27C	Nut M8x1-6H:		4
22	252155-P2	Washer 8L		2
23	252156-P2	Washer 10L		2
24	252006-P27C	Washer 10		2
25	252005-P27C	Washer 8		2
26	201421-P29	Sump Fastening bolt M6x16	Not Pictured	12
26	E01531	Hex Head M6x16	Not Pictured - Installed from 2007	12

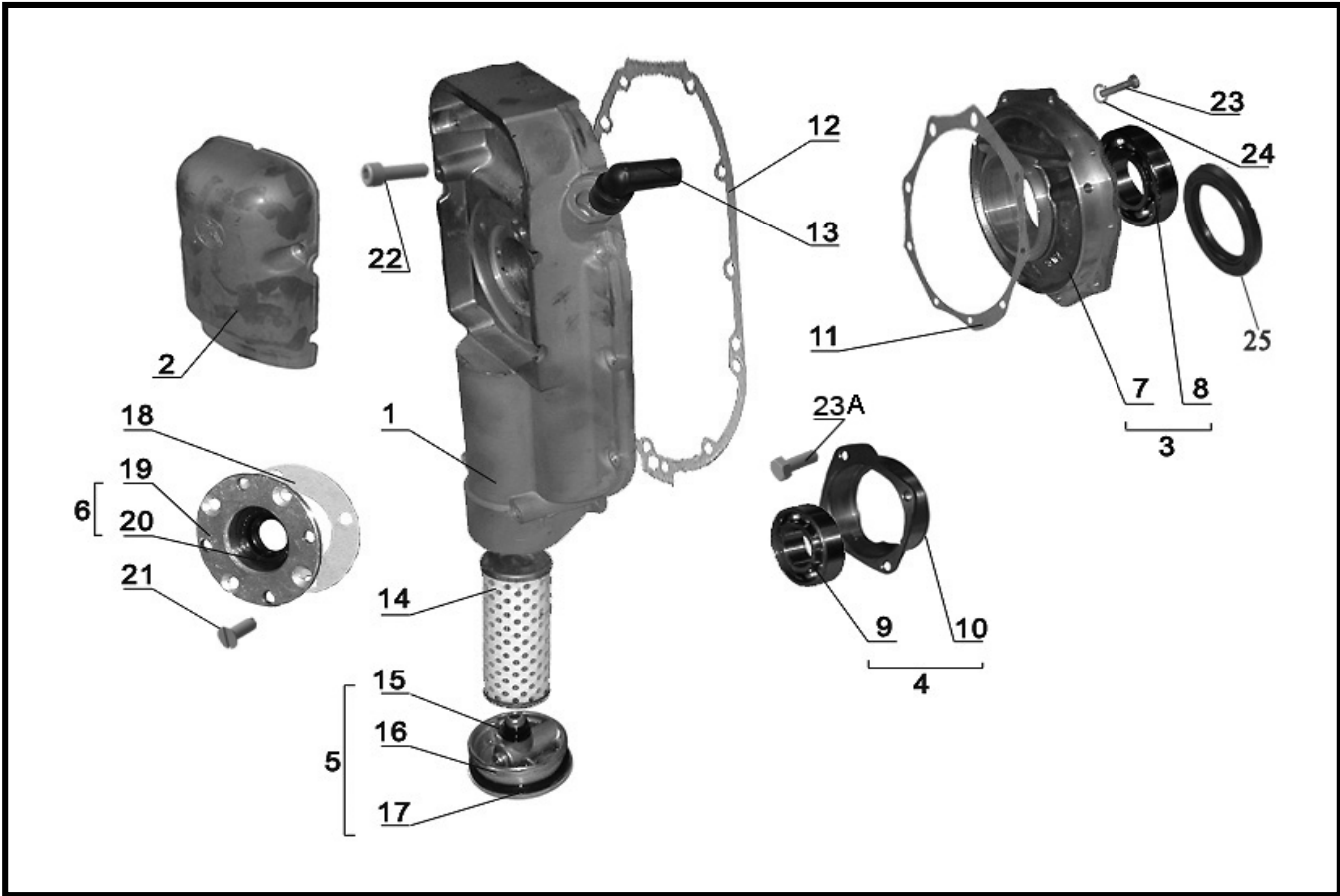


Figure 3 - Crankcase Cover, Oil Pump

Item	Part #	Description	Notes	Q-ty
1	IMZ-8.103-01116	Distributor box cover		1
2	IMZ-8.103-01166-10	Front cover		1
2	IMZ-8.101-01166-10	Front cover - plastic		1
2a	221608-P29	Box Cover Screw	Not Pictured - Up thru 2006	2
2b	E11674	Hex Head Cover Screw	Not Pictured - Installed in 2007 and beyond	2
3	IMZ-8.106-01014	Rear bearing housing assy		1
4	IMZ-8.106-01015	Front bearing housing assy		1
5	IMZ-8.101-01066	Plug assy		1
6	IMZ-8.108-01013	Collar with seal		1
7	IMZ-8.106-01141	Rear bearing housing	See fig. 3, #3	1
8	5-208	Ball bearing		1
8	SKF 6208 2z/c3	Ball bearing	New Bearing introduced in 2007	1
9	5-208	Ball bearing		1
9	SKF 6208 2z/c3	Ball bearing	New Bearing introduced in 2007	1
10	IMZ-8.106-01136	Front bearing housing	See fig. 3, #4	1
11	IMZ-8.106-01164	Gasket of rear bearing housing		1
12	IMZ-8.103-01161	Gasket of distributor box cover		1

Figure 3 - Crankcase Cover, Oil Pump

Item	Part #	Description	Notes	Q-ty
16	IMZ-8.101-01671	Oil filter plug		1
17	72-05224-01	Sealing ring		1
18	6201125	Seal collar gasket		1
19	IMZ-8.108-01117	Seal collar		1
20	IMZ-8.103-01083	Collar Rubena	Installed since June 05 - May use new seal below	1
20	6201124-01	Camshaft seal with spring assy	Installed before June 05 - May use new seal below	1
20	NAK SC 02260	Camshaft seal with spring assy	New seal from 2007	1
21	220080-P27C	Screw M5-6gx16		4
22	201421-P27	Screw M6x20-8.8		2
23	201455-P27	Bolt M8-6gx18		13
23A	365088	Bolt M6x20		4
24	252005-P27C	Washer 8		9
25	IMZ-8.108-01081	Collar Viton	Russian - may use new seal below	1
25	NAK TF 03396	Flywheel seal	New seal from 2007	1
26	IMZ-106-01145	Circlip	Not Pictured - Used to retain bearing in item # 8	1