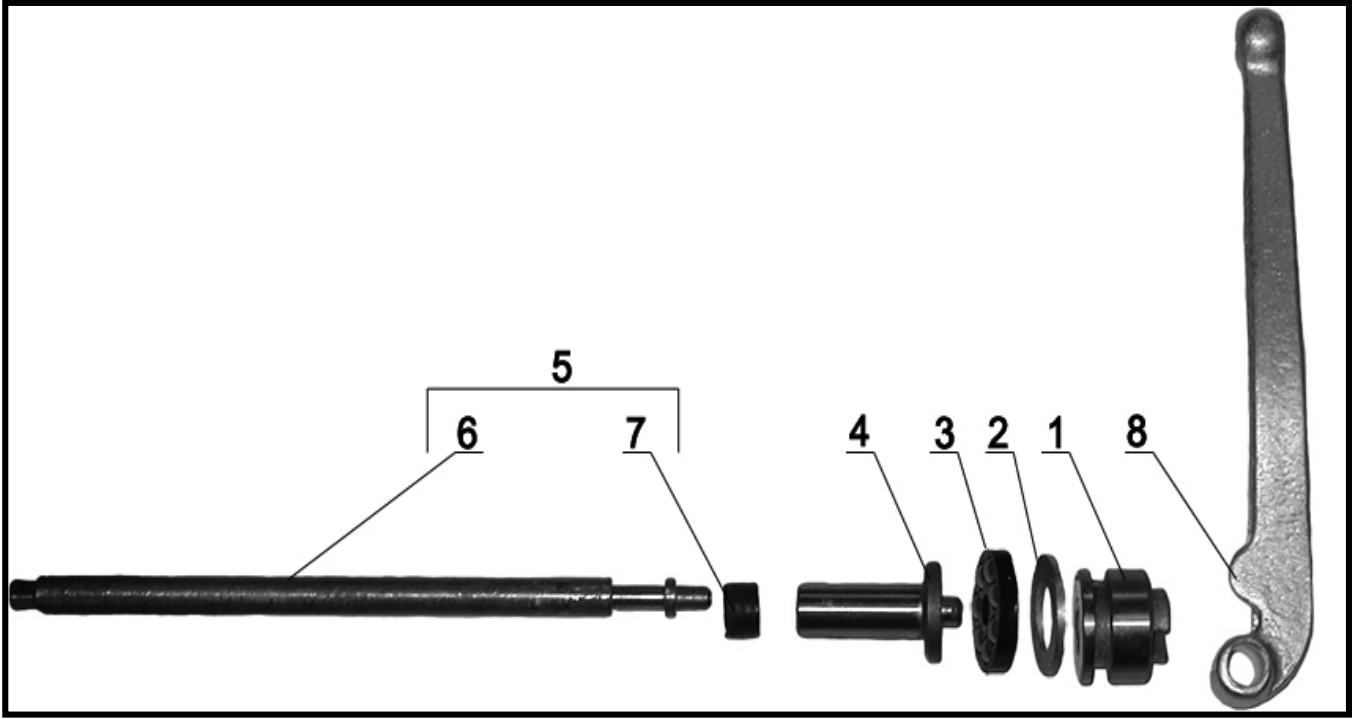


**Clutch**

Item	Part #	Description	Notes	Q-ty
1	101-03013	Clutch plate, driven, assy		2
2	IMZ-8.105-03117	Driving plate, intermediate		1
3	IMZ-8.105-03121	Pressure clutch plate, driving		1
4	7203122	Thrust clutch plate, driving		1
5	72-03115-01	Pressure clutch spring	Installed before September 05	1
5	72-03115-02	Pressure clutch spring	Installed since September 05. Interchangeable with 72-03115-02. We recommend to change all 6 springs at one time	6
6	7203123	Screw, driving thrust clutch plate		6



**Clutch Release Mechanism**

Item	Part #	Description	Notes	Q-ty
1	72-03206	Clutch release slider		1
1	7203206-2007	Clutch release slider	Installed from 2007	1
2	7203207-A	O - Ring		1
3	948066E	Thrust ball bearing	Use only up thru 2006	1
3	SKF BA7	Thrust ball bearing	Must use from 2007	1
4	72-03211	Clutch release rod tip		1
4	72-03211-2007	Clutch release rod tip	Installed from 2007	
5	7203214-03	Clutch release rod and seal, assy		1
6	7203212-30	Clutch release rod	See fig. 9, #5	1
7	7203213-20	Clutch release rod seal		1
8	IMZ-8.1236-03205	Clutch release lever		1